
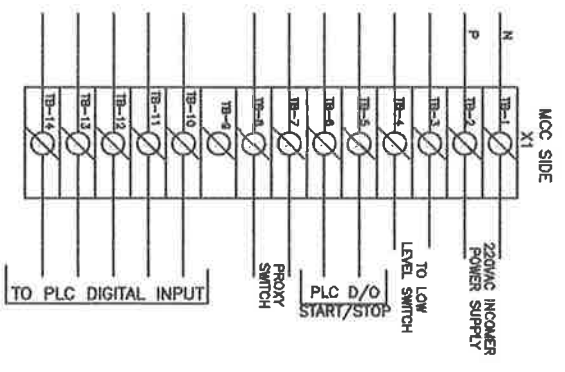
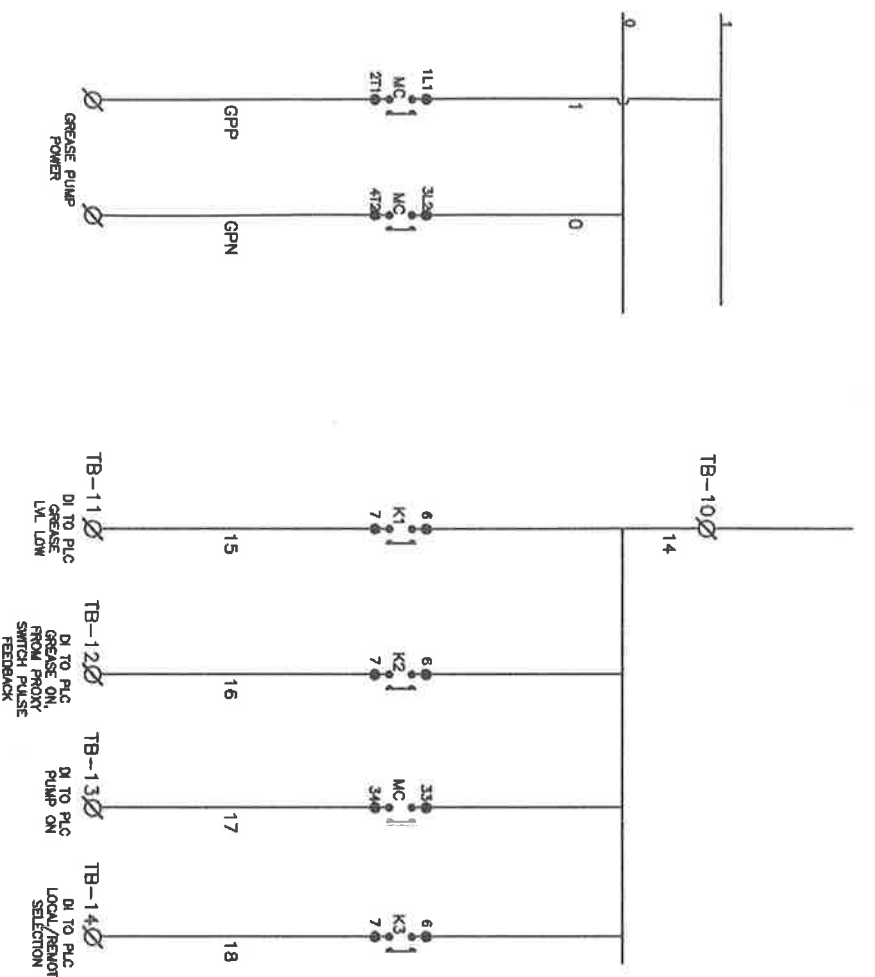


70-POINTS

SCALE:- NONE	 GRACO	TITLE:- CIS FOR Reclaim steep Conveyor	CUSTOMER NAME:- IFTCO, PARADEEP
DFTG TECH:-		DWG. NO.:-	
DRAWN BY:- P. MOHANTY	SHEET NO.:- 1		
CHECKED BY:- N.MISHRA			



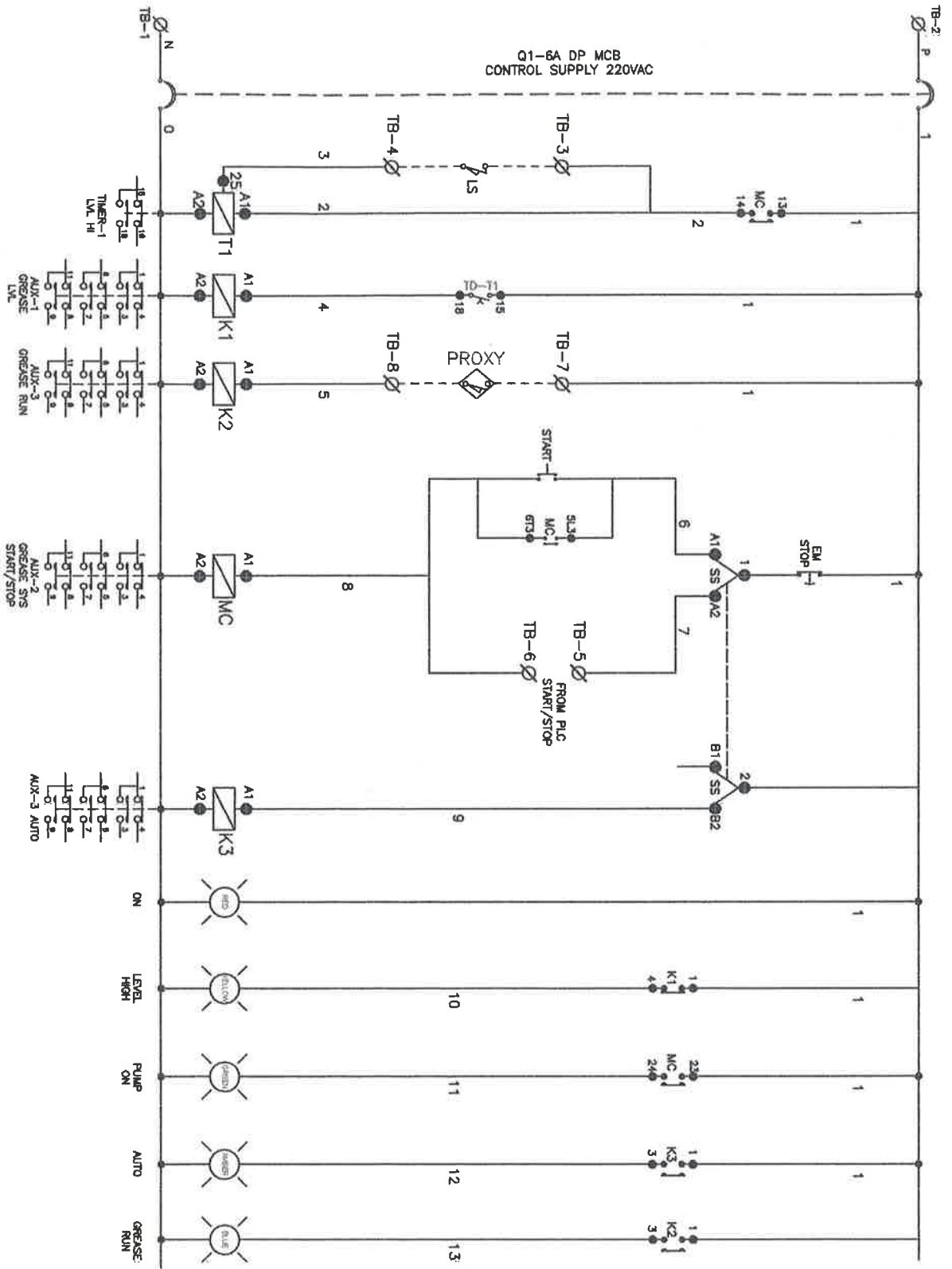
CLIENT :-

IFFCO, PARADEEP

PROJECT :-  
AUTOMATIC LUBRICATION SYSTEM  
FOR STEEP CONVEYOR

PROAID

DN	SUMANTA	CONTROL DRAWING FOR MAX3 GREASING SYSTEM
CKD	SUMANTA	
APP	---	DATE:- 10/04/2018
TOTAL SET :- 03		REVISED 001
IN QUANT :- 02		REVISED 002
DATE:- 10/04/2018		REVISED 003
DATE:- 10/04/2018		REVISED 004
DATE:- 10/04/2018		REVISED 005



CLIENT :-

IFFCO, PARADEEP

**PROAID**

PROJECT :-  
AUTOMATIC LUBRICATION SYSTEM  
FOR STEEP CONVEYOR

DRN	SUMANTA	CONTROL DRAWING FOR MAX3 GREASING SYSTEM
CRD	SUMANTA	
APP	—	DATE:- 10/04/2018 TIME: 02:00 PM SCALE: 02:00:00

The copying, distribution and utilization of this document offenders will be held liable for the payment of damages